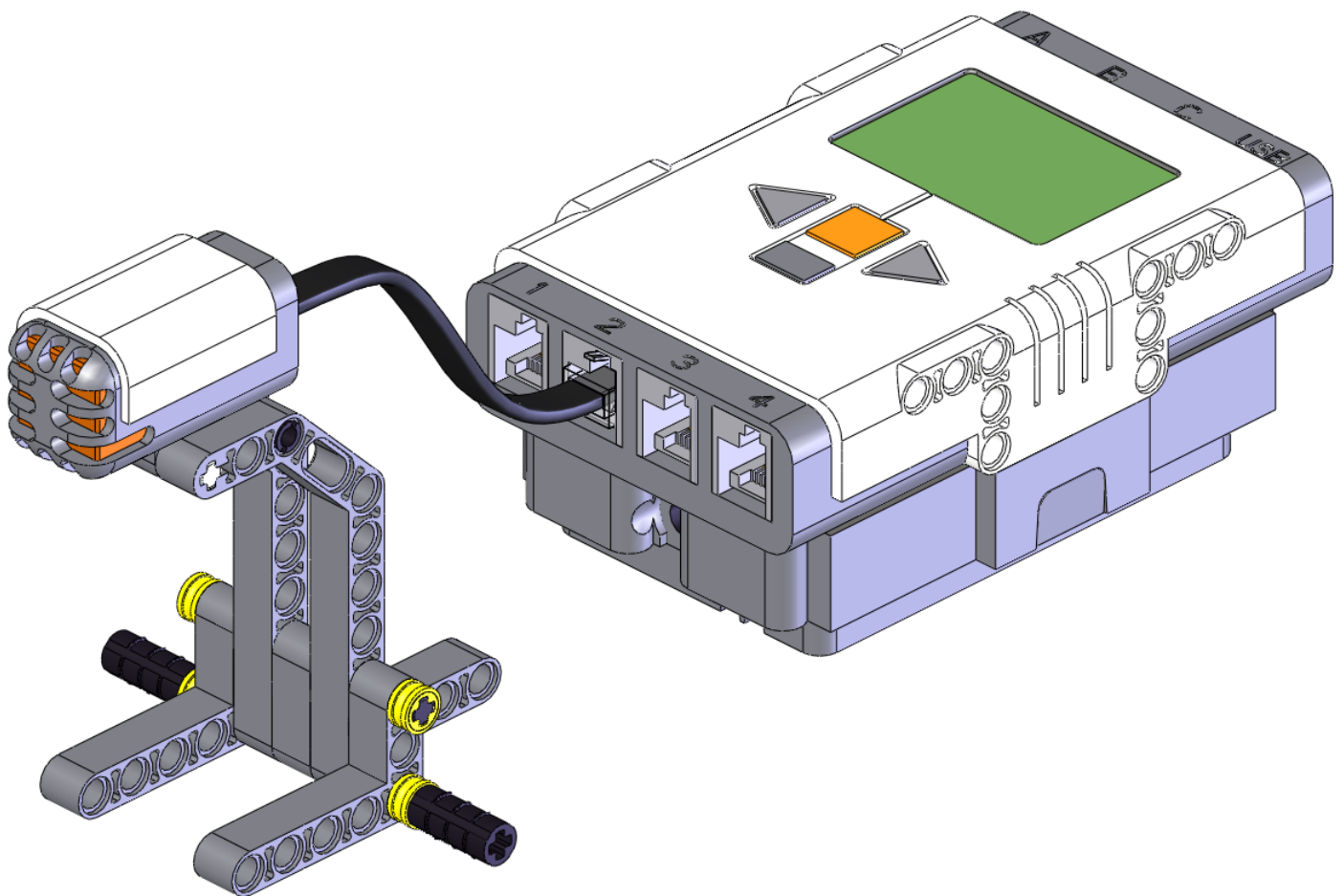


## Building Instructions

# Sound Sensor Stand



# Sound Sensor Stand

2x TECHNIC Axle Extender

1x TECHNIC Axle 3

1x TECHNIC Axle 6

1x TECHNIC Axle 8

4x TECHNIC Bushing Small

1x TECHNIC Pin Long with Friction

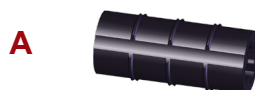
2x TECHNIC Angle Beam 9 by 5

3x TECHNIC Angle Beam 5 by 3

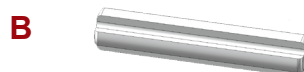
1x LEGO Sound Sensor

1x LEGO NXT Wire

A



B



C



D



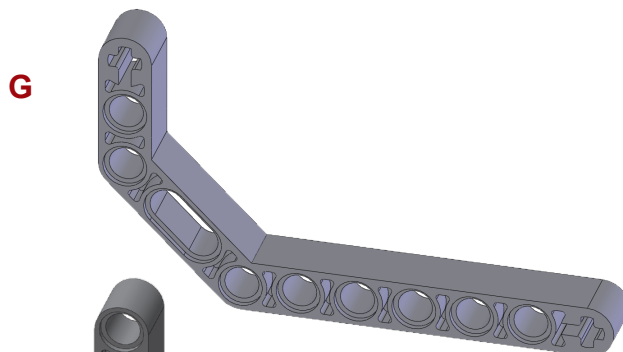
E



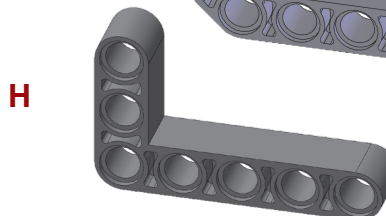
F



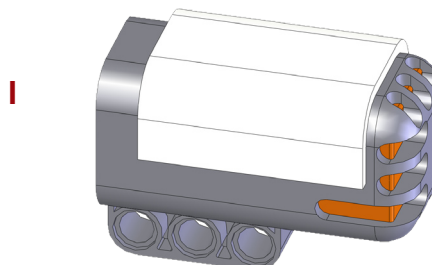
G



H



I

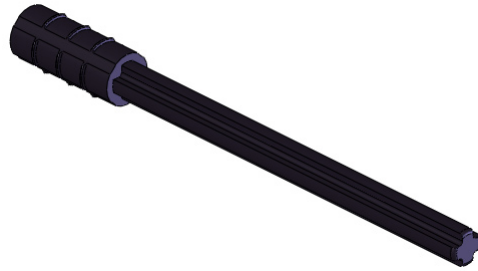
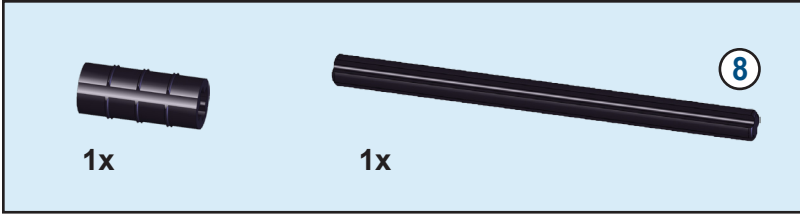


J



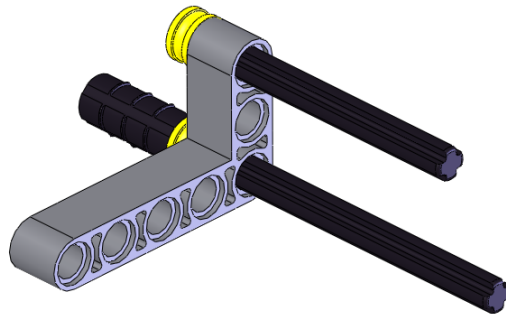
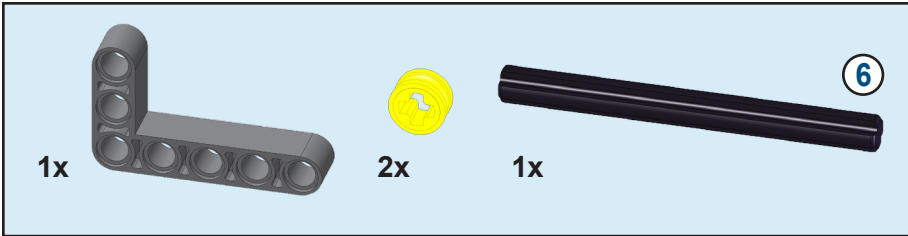
J

# 1

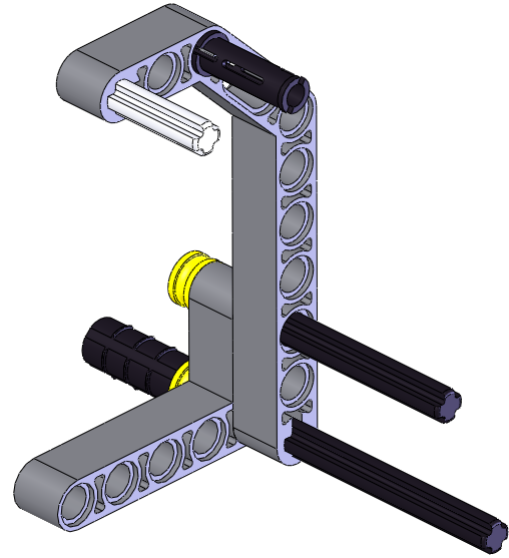
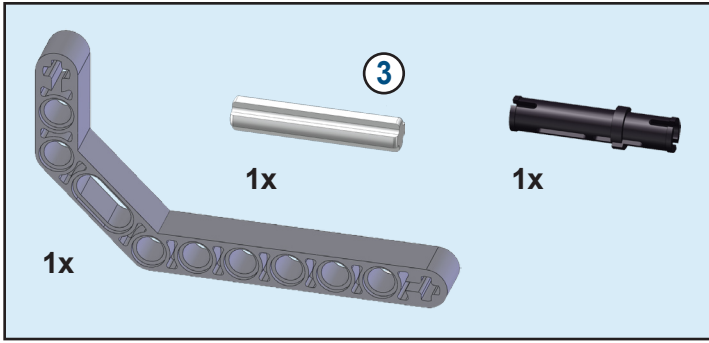


---

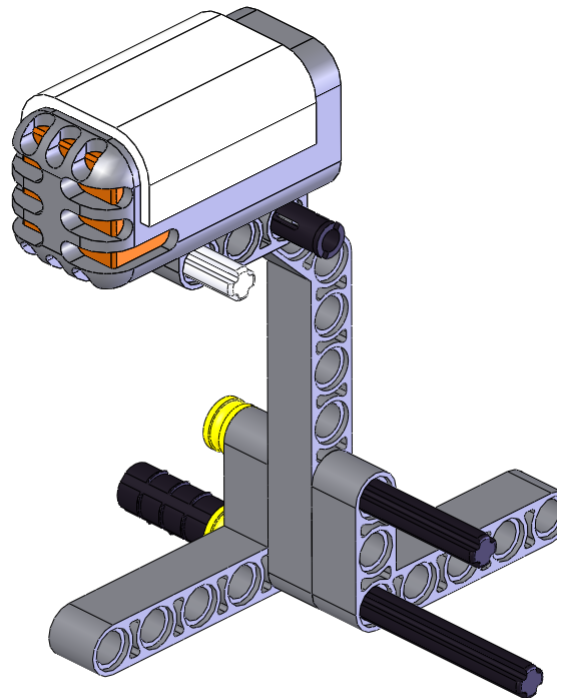
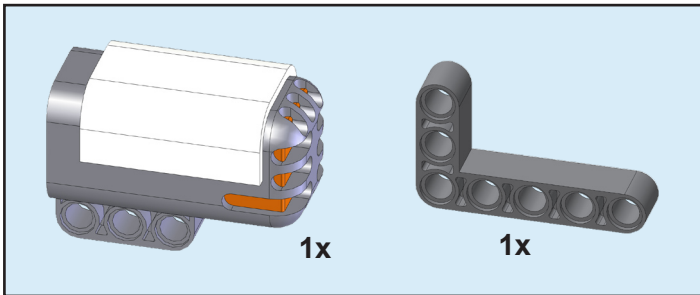
# 2



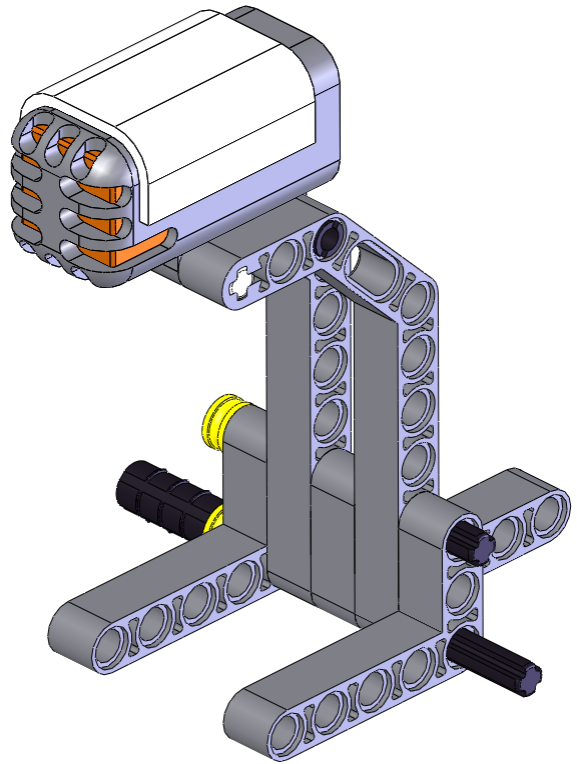
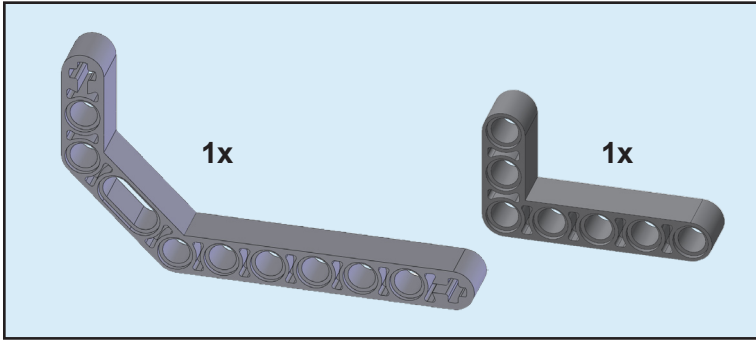
# 3



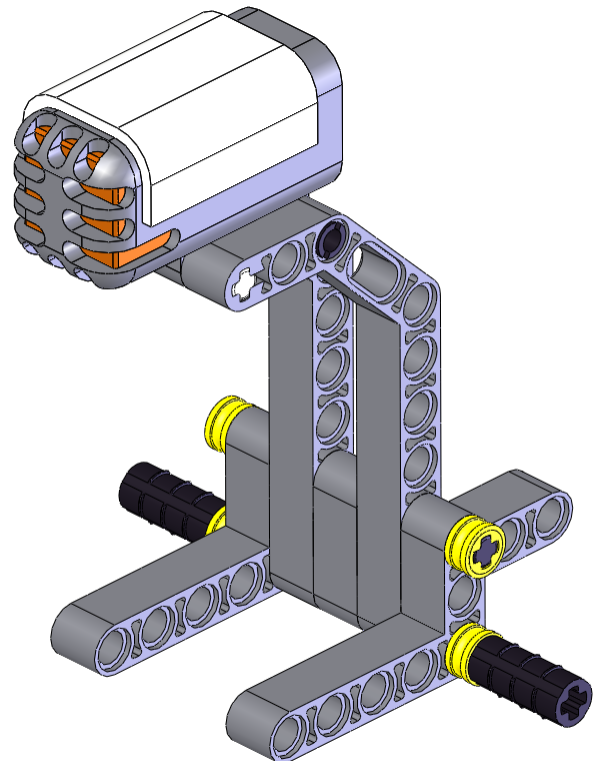
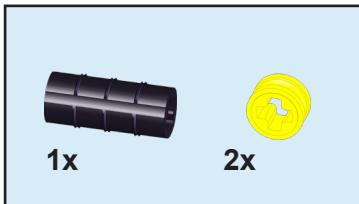
# 4



# 5



# 6



# 7

